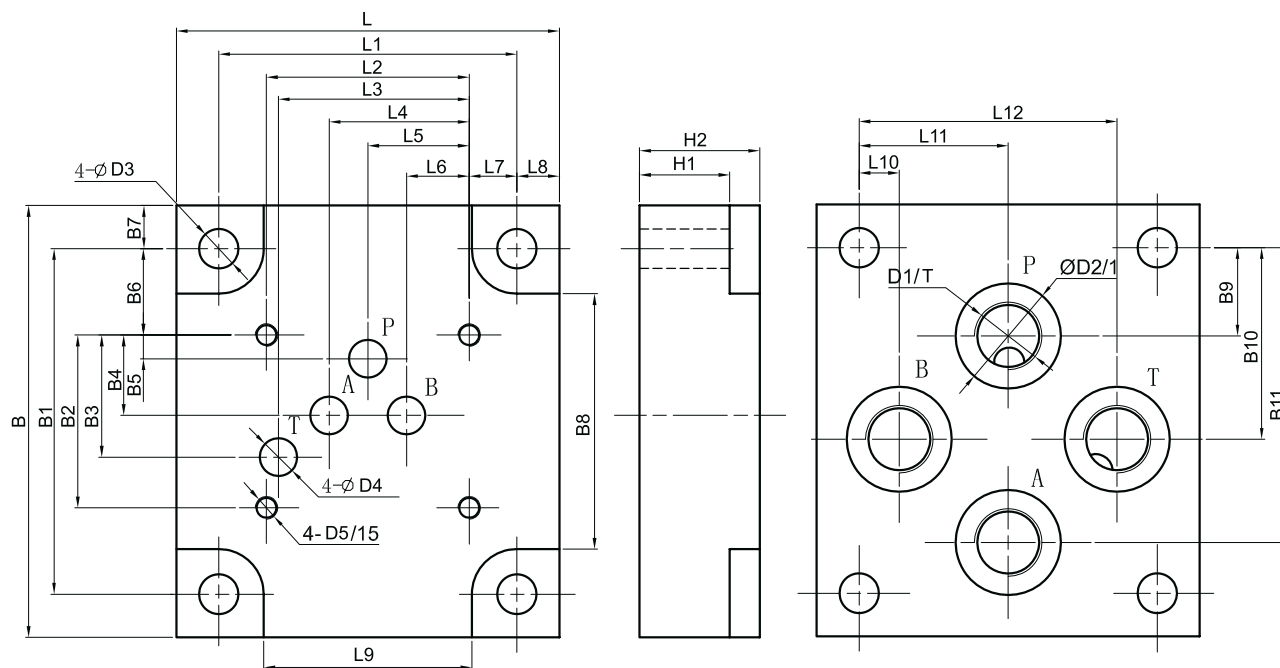


SUBPLATE

Size 10

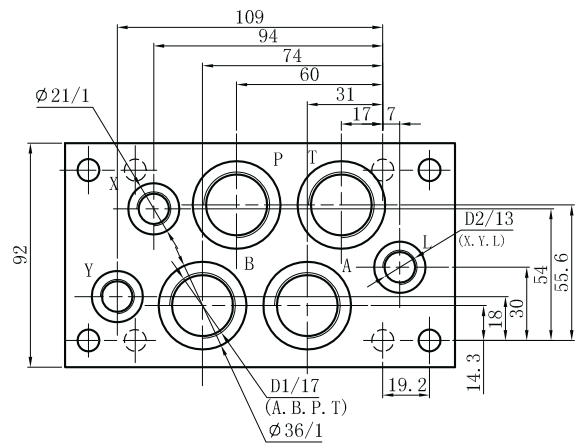
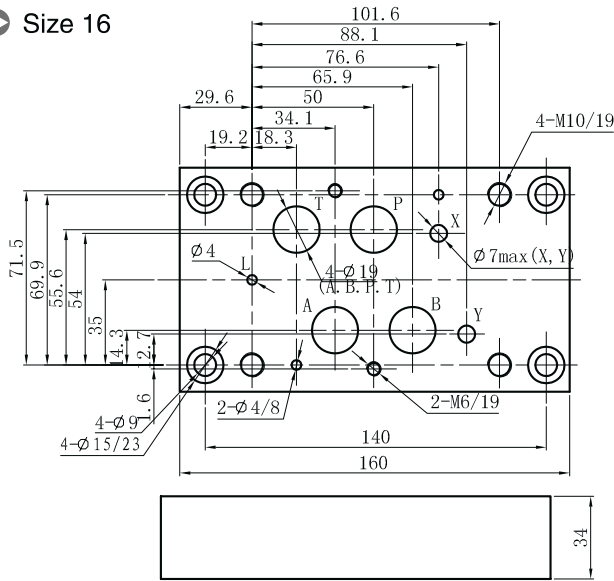


Model	L	L1	L2	L3	L4	L5	L6	L7	L8	L9	L10	L11	L12	B	B1	B2	B3
G292/01	102	79.4	54	50.8	37.3	27	16.7	12.7	11.3	55.4	10.7	39.7	68.7	115	92	46	32.5
G308/01	102	79.4	54	50.8	37.3	27	16.7	12.7	11.3	55.4	10.7	39.7	68.7	115	92	46	32.5
G377/01	102	79.4	54	50.8	37.3	27	16.7	12.7	11.3	55.4	10.7	39.7	68.7	115	92	46	32.5
G378/01	102	79.4	54	50.8	37.3	27	16.7	12.7	11.3	55.4	10.7	39.7	68.7	115	92	46	32.5
G534/01	120	79.4	54	50.8	37.3	27	16.7	12.7	20.3	—	3.2	39.7	76.2	115	92	46	32.5
G66/01	102	79.4	54	50.8	37.3	27	16.7	12.7	11.3	55.4	10.7	39.7	68.7	115	92	46	32.5
G67/01	102	79.4	54	50.8	37.3	27	16.7	12.7	11.3	55.4	10.7	39.7	68.7	115	92	46	32.5
G66/02	102	79.4	54	50.8	37.3	27	16.7	12.7	11.3	55.4	10.7	39.7	68.7	115	92	46	32.5
G67/02	102	79.4	54	50.8	37.3	27	16.7	12.7	11.3	55.4	10.7	39.7	68.7	115	92	46	32.5

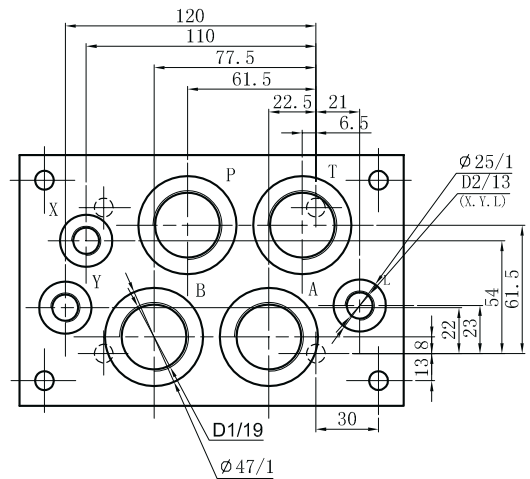
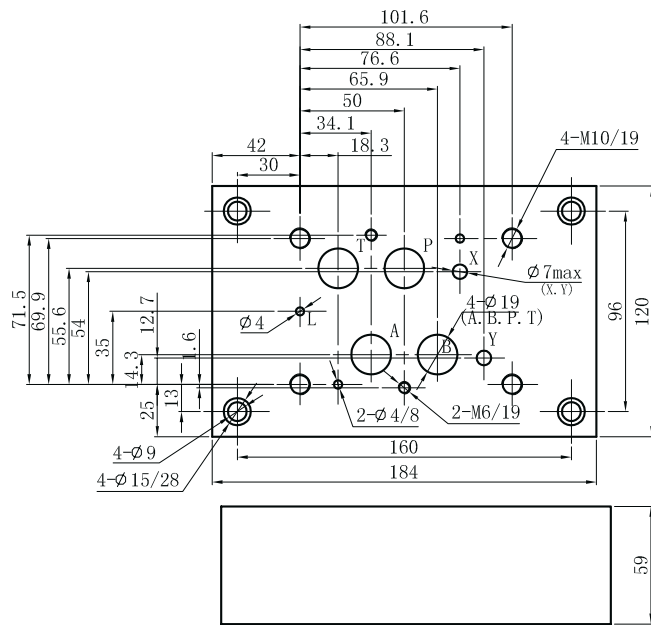
Model	B4	B5	B6	B7	B8	B9	B10	B11	H1	H2	D1	D2	D3	D4	D5	T
G292/01	21.4	6.3	23	11.5	68	23.5	51	78.5	24	32	G1/2	34	10.5	10.5	M6	12
G308/01	21.4	6.3	23	11.5	68	23.5	51	78.5	24	32	G3/8	28	10.5	10.5	M6	12
G377/01	21.4	6.3	23	11.5	68	23.5	51	78.5	24	32	G3/8	28	10.5	10.5	M6	12
G378/01	21.4	6.3	23	11.5	68	23.5	51	78.5	24	32	G1/2	34	10.5	10.5	M6	12
G534/01	21.4	6.3	23	11.5	—	12	46	80	27	39	G3/4	42	10.5	10.5	M6	16
G66/01	21.4	6.3	23	11.5	68	23.5	51	78.5	24	32	G3/8	28	10.5	10.5	M6	12
G67/01	21.4	6.3	23	11.5	68	23.5	51	78.5	24	32	G1/2	34	10.5	10.5	M6	14
G66/02	21.4	6.3	23	11.5	68	23.5	51	78.5	24	32	M18X1.5	28	10.5	10.5	M6	12
G67/02	21.4	6.3	23	11.5	68	23.5	51	78.5	24	32	M22X1.5	34	10.5	10.5	M6	14

► SUBPLATE

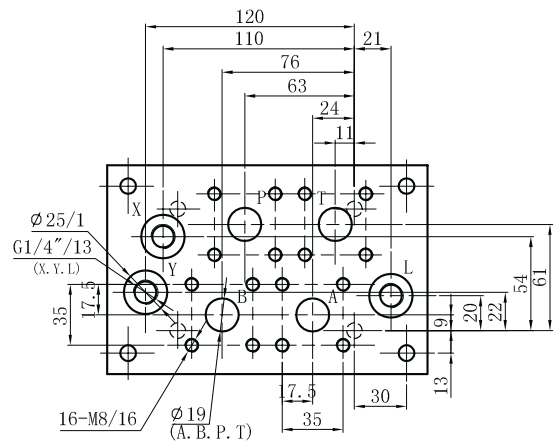
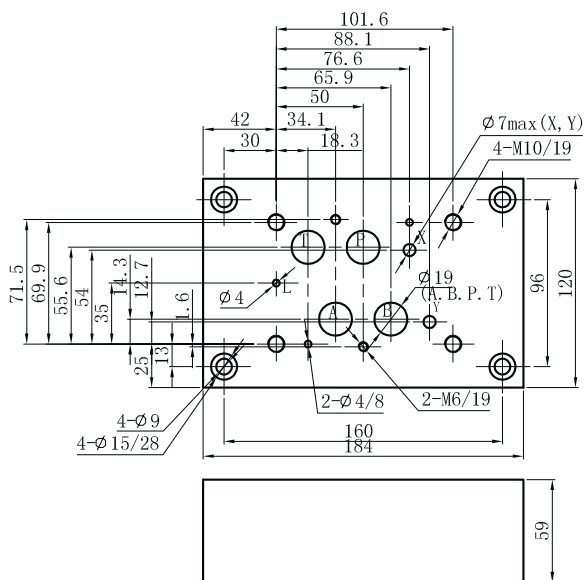
► Size 16



Model	D1	D2
G172/01	G3/4	G1/4
G172/02	M27X2	M14X1.5



Model	D1	D2
G174/01	G1	G1/4
G174/02	M33X2	M14X1.5

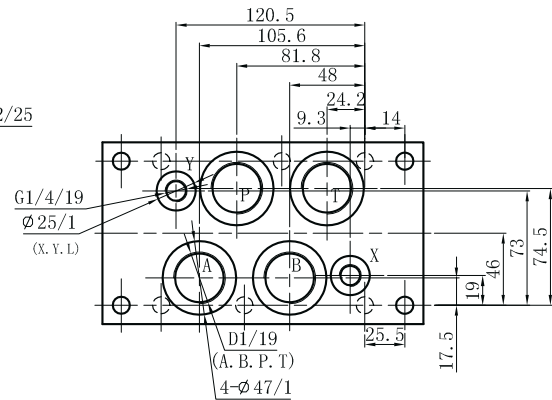
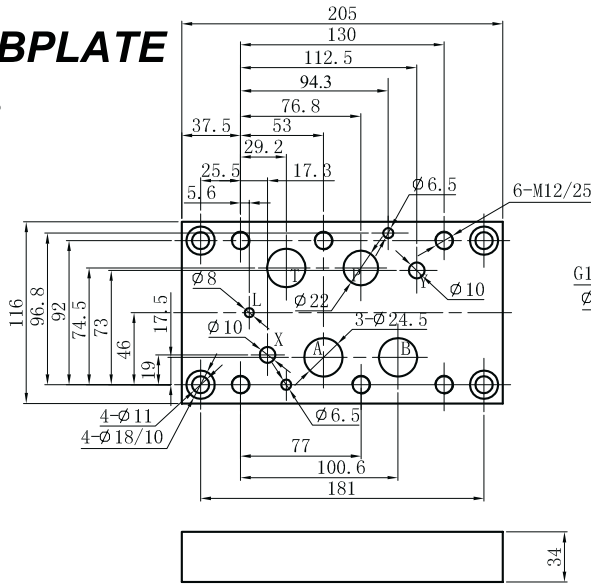


Model	Connecting flange	To 25MPa To 40MPa	Part number	009 271	009 272	Weight(Kg)
G174/08						5.5

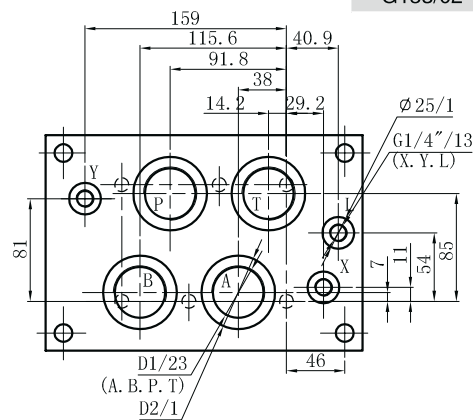
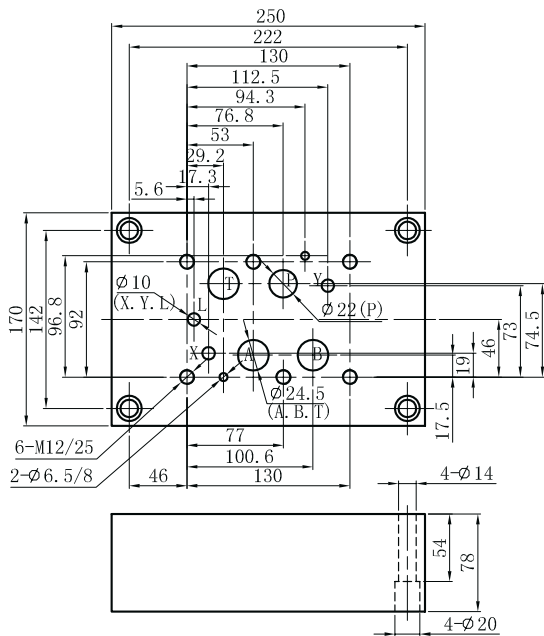


SUBPLATE

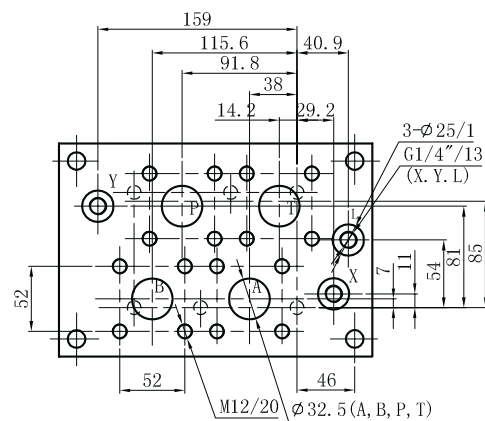
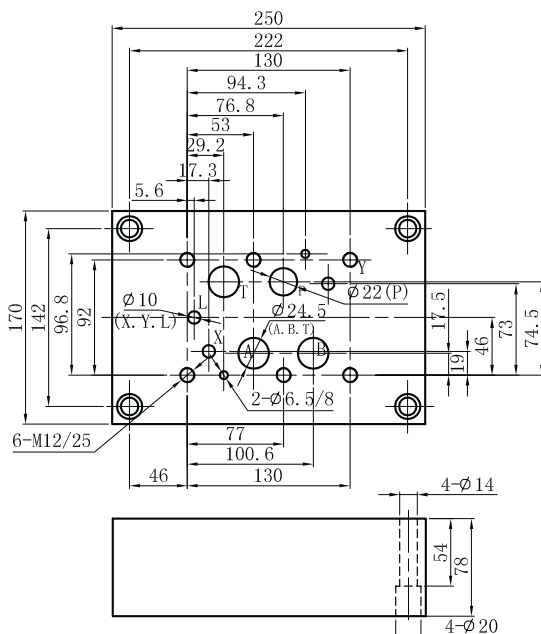
Size 25



Model	D1
G151/01	G1
G153/01	G1
G151/02	M33X2
G153/02	M33X2



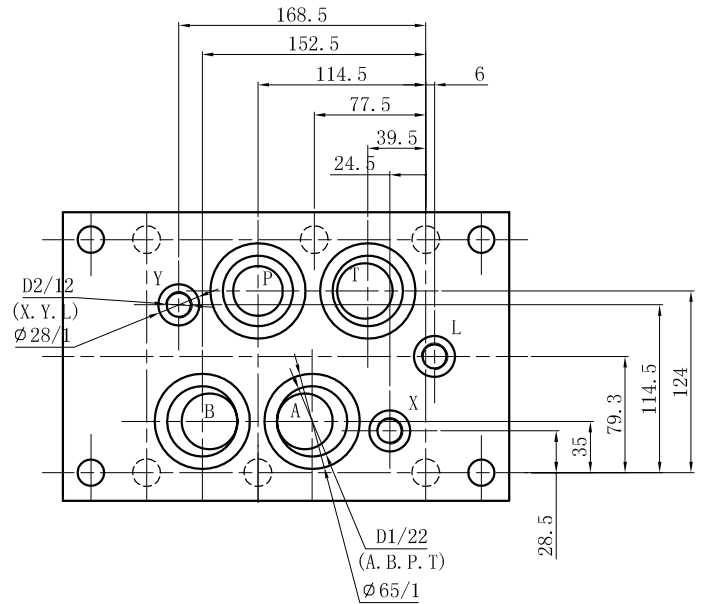
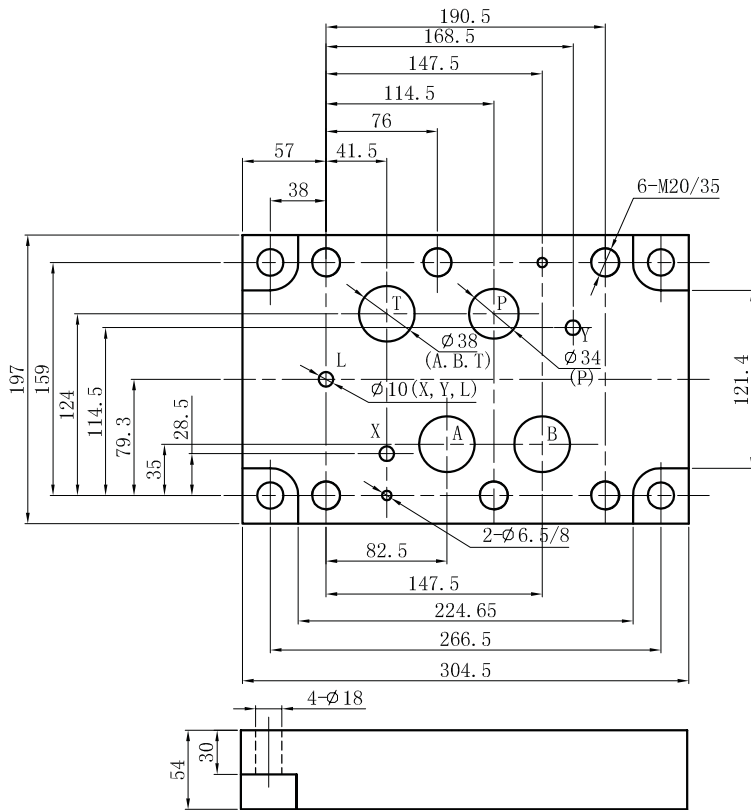
Model	D1	D2
G154	G11/4	58
G156	G11/2	65
G154	M42X2	58
G156	M48X2	65



Model	Werght(Kg)	Connecting flange	D1
G154/08	20	25MPa	009 176
		40MPa	009 177

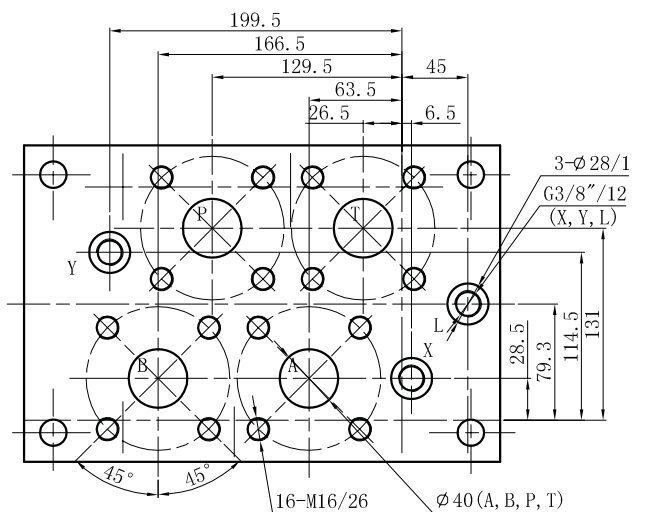
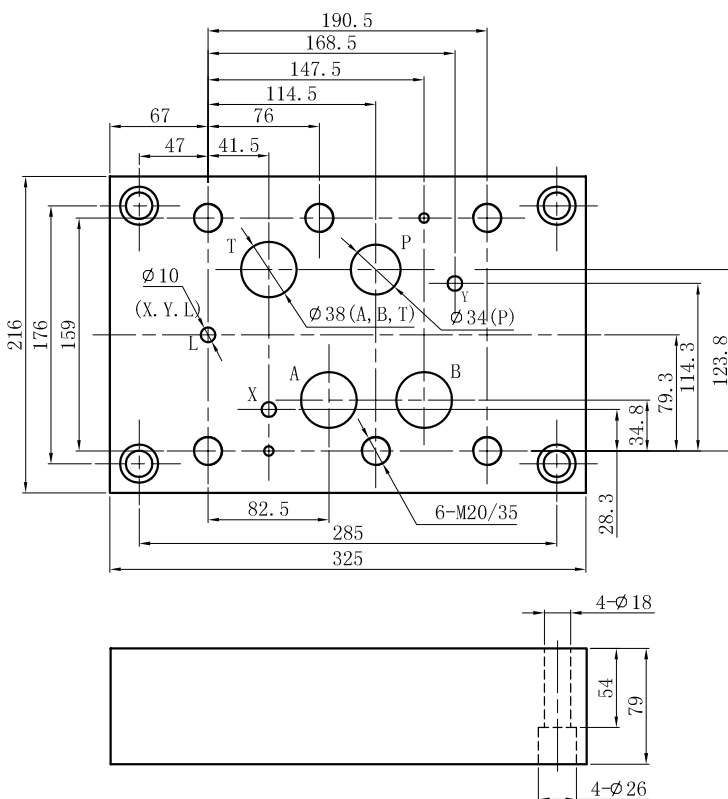
SUBPLATE

Size 32



Model	D1	D2
G157/01	G1	G3/8
G157/02	M48X2	M18X1.5

Subplates



▶ Connecting flange is used for G158/10

Working pressure	Part number
16MPa303	901
32MPa303	921
40MPa303	931