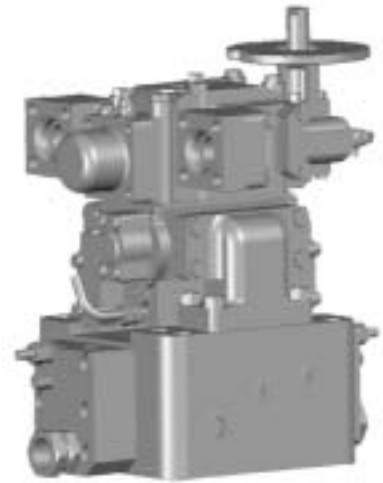
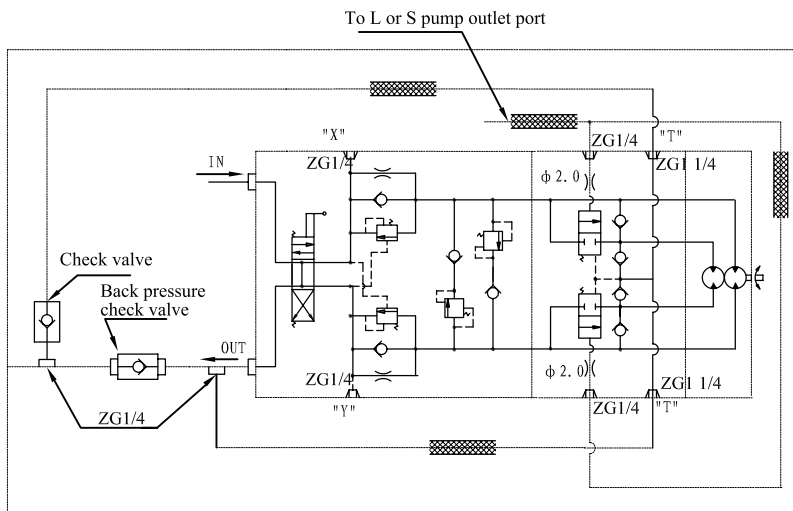


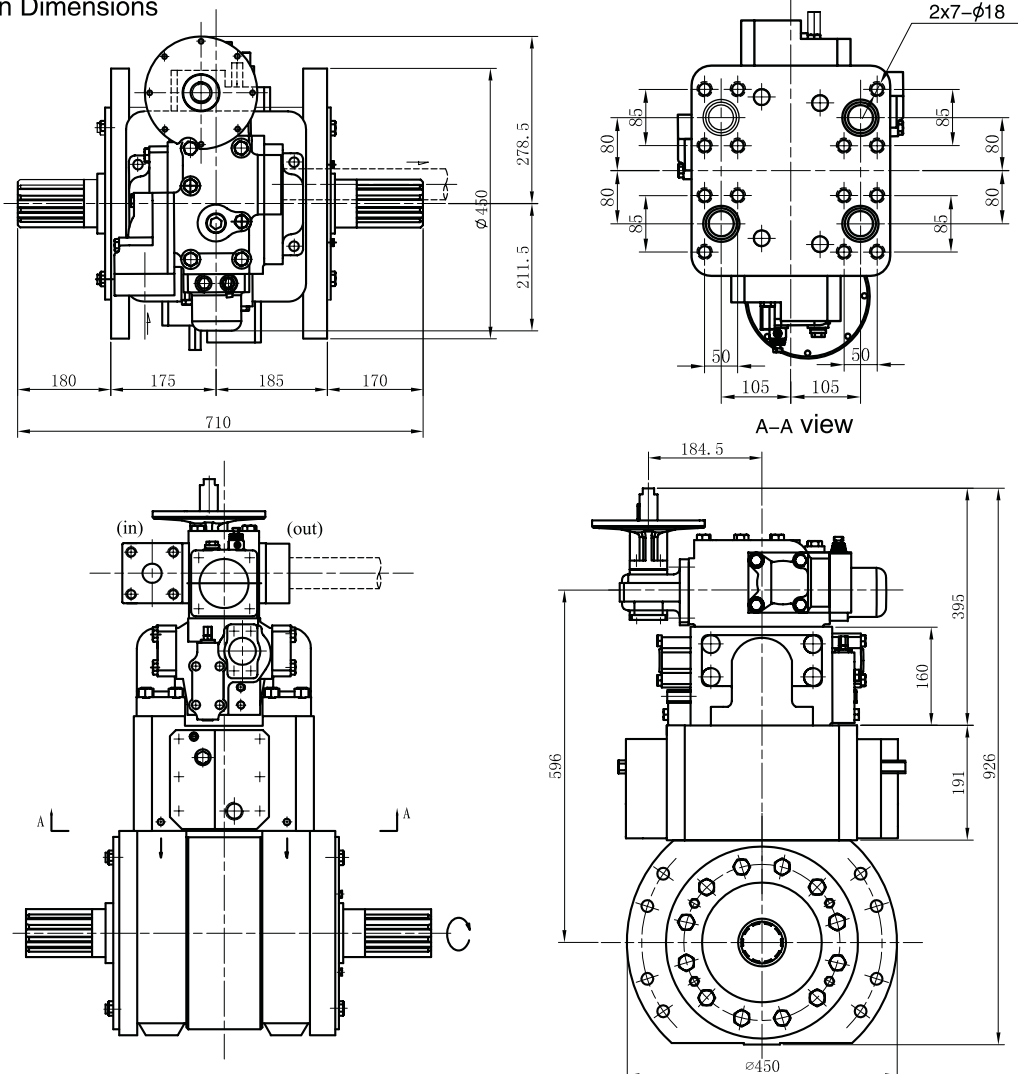
▶ CONTROLLER OF SLEWING MOTOR

This product is named as "controller of slewing motor" for short, It's suitable for the control of slewing motor used by the harbor crane , There are two kinds of controller of slewing motor ,one can change the slewing speed automatically according to different loads, the other can't.

▶ Hydraulic schematic diagram



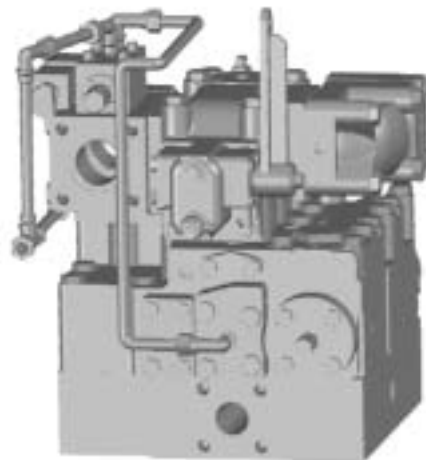
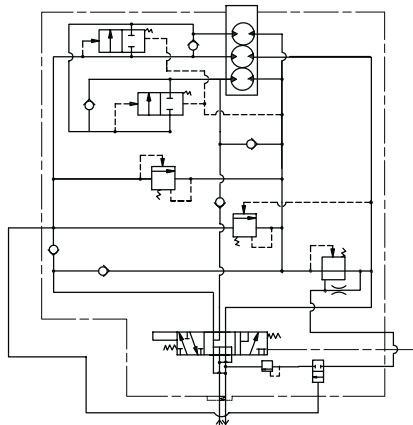
▶ Installation Dimensions



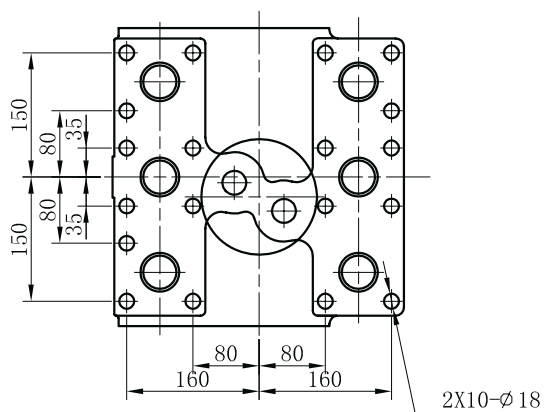
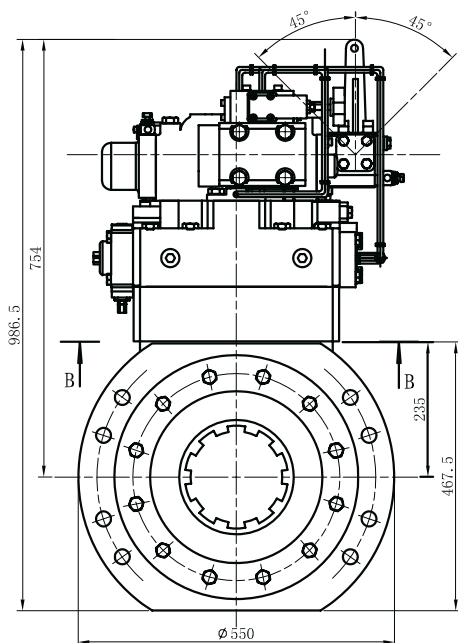
▶ CONTROLLER OF HOISTING MOTOR

This product is named as “controller of hoisting motor”, It’s suitable for the control of hoisting motor used by the harbor crane.

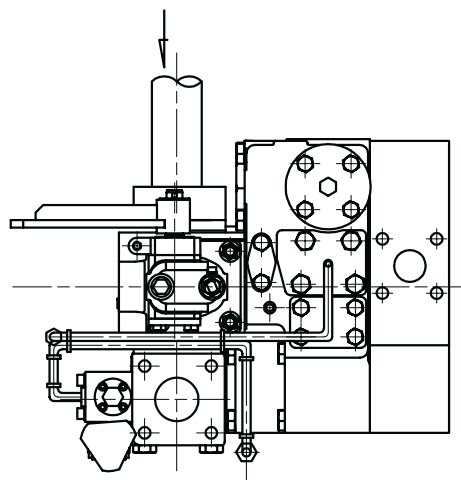
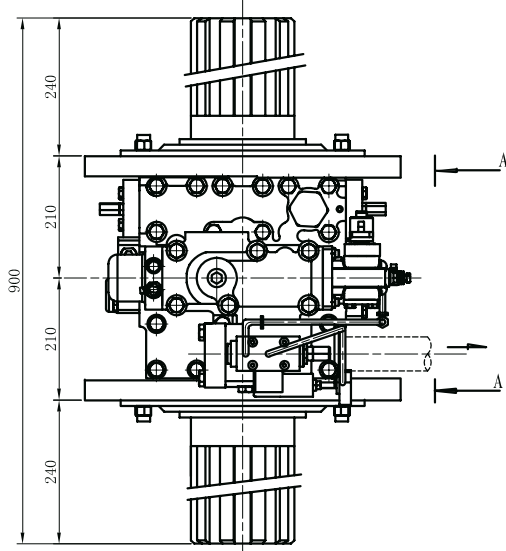
▶ Hy draumatic schematic diagram



▶ Installion Dimensions



B-B View

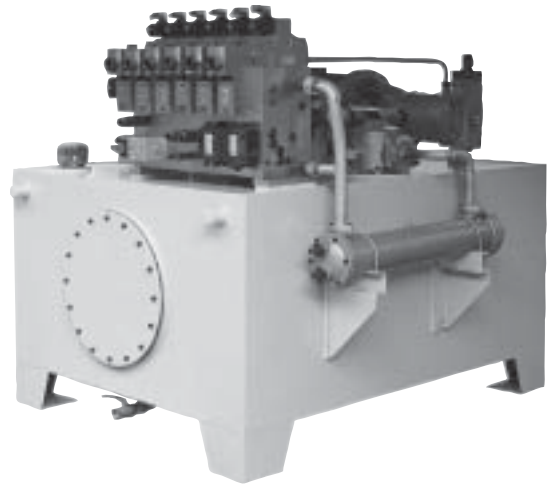


A-A View

► **HYDRAULIC POWER UNIT**

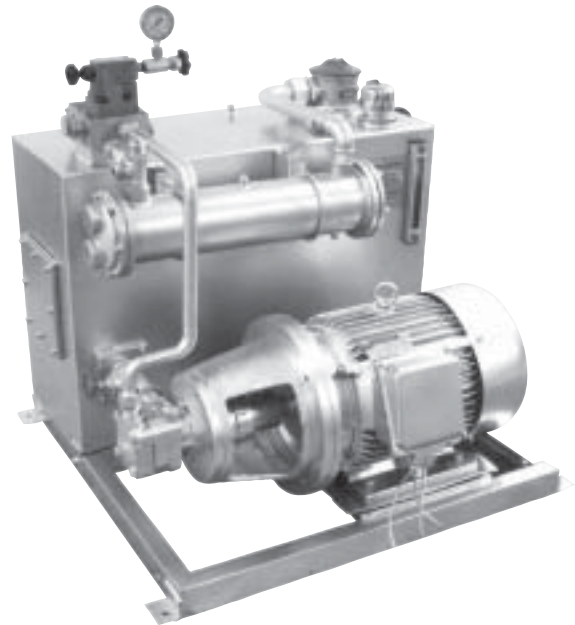
► UDS-III Hydraulic power unit

UDS-Hydraulic power units are specially designed for diamond pressing machines, it features the pressure in a hydraulic system will reach 110MPa by turbochargers, thus most hydraulic actuators with proof pressure below 40MPa classes can be used. For low flow rate, the hydraulic power unit can save energy and realize high speed operation if mounted saving-pressure return lines and different-pressure return lines in the system.



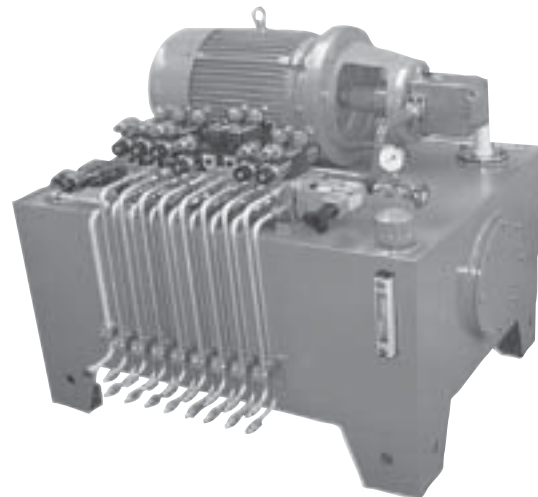
► GT-30A Hydraulic power unit

GT-30A hydraulic power unit equipped with overseas-ocean catching fish machines, it features: fishing lines have a steady tension according to different rotation speed. The GT-30A hydraulic power unit with buffer device can be opened or closed sensitively and quickly. It can also reduce the working intensity of spare parts so as to prolong service life. The main hydraulic parts installed in the hydraulic power unit are imported, which will ensure systems to operate reliably with long service life.



► ZDWX Hydraulic power unit

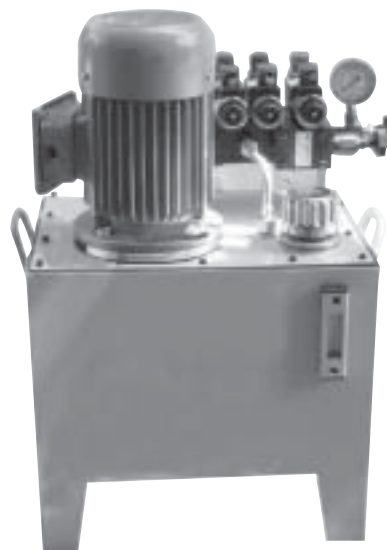
ZDWX hydraulic power units are designed for railway systems. The power unit has the pressure return lines with two classes to support the operation of 8 actuators. It adopts integrated distributing-flow plates to lessen the oil leakage and develop operating stability. The special design will enable several actuators to operate simultaneously so as to meet hydraulic power unit requirements.



► **HYDRAULIC POWER UNIT**

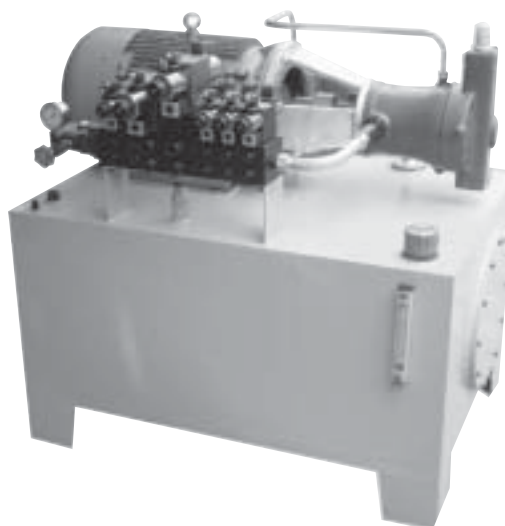
► **XZ Hydraulic power unit**

The XZ type hydraulic power unit designed for special light machines, which can support action of four actuators, it is characteristic of reliable working, harmonious operating, easily using and more economical etc.



► **ZZJ-1 Hydraulic power unit**

The ZZJ-1 type hydraulic power unit is designed for machines of manufacturing bricks. Its output power can supply 8 actuators, and the motor mounted on which can be controlled by 2 grades, the 87 controlled valves had been mounted on a modular (which distributes hydraulic oil), this special design is to prevent a leakage of oil



► **ZL-2 Cooling equipment**

The cooling unit is designed to lower the temperature of hydraulic oil in a hydraulic Power unit working in high temperature condition, This integrated equipment consists of compressor*water condenser*evaporator* water tank*water pump etc. The water tank is made of stainless steel and mounted hest insulating materials on each side which will enable the cooling water not affected by temperature outside or workingcondition . The surface in the equipment is protected by color steel sheet. The water temperature in the tank can be adjusted automatically according to setting temperature within *2* tolerance range. The equipment has characteristics of small volume* low noise*good cooling efficiency, reliable work and easy operation.

